

85W universal panel



GRID PATENTED TECHNOLOGY

Flexible | Rugged | Lightweight | Mono cSi



80% Lighter
than Glass



20% More Energy
In Real World Conditions



50X More Durable
vs. Bus-Bar Technology



2.5X Power Density
vs. Thin Film Technology

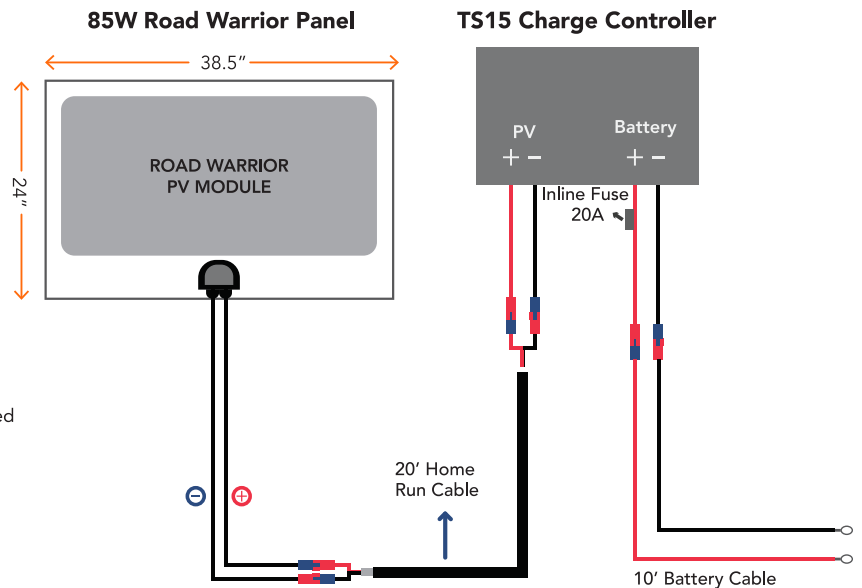
CUSTOMER ADVANTAGE

- Reduce Vehicle Downtime
- Eliminate Jump Starts
- Combat Parasitic Draws (eg Cameras / ABS Systems)
- Increase Battery Life
- Reduce Battery Replacements
- Inventory Stocked in Canada
- Made in USA

TECHNICAL SPECS

PV Module Specs	Unit	RWS-85W-DCF
Rated Power (P Max)	W	85
Voltage at Pmax (Vmp)	V	19.3
Current at Pmax (Imp)	A	4.4
Open Circuit Voltage (Voc)	V	23.1
Short Circuit Current (Isc)	A	4.5

1. STC standard test conditions: 1000W/m² intensity, Air Mass 1.5, 25°C cell temperature. Power Tolerance is +/- 5% W at STC. The electrical characteristics are within +/- 10% unless otherwise specified
2. Specifications are subject to change.



RWS-85W-DCF

Kit Includes:

- Panel Size: 24" x 38.5"
- 85W Peel and Stick Flexible Solar Panel
- MPPT 15A Charge Controller
- Plug & Play Wiring Harness
- Installation Hardware

Advantages:

- Combat Parasitic Draws (eg Cameras / ABS Systems)
- Reduce No-Starts
- Increase Battery Life
- Reduce Battery Replacements
- Made in USA



FOR MORE INFORMATION, CONTACT:

Colin Toews | 204 890-3011 | colin@dynamicssolar.ca